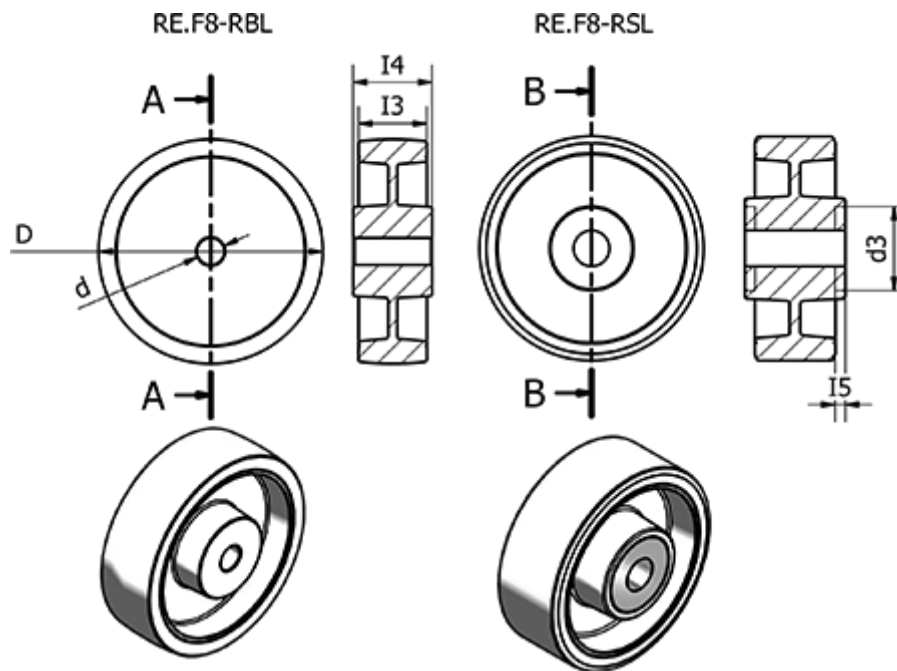


Article number: 2314450511

Description: E+G polyamide wheel  
RE.F8-100-RBL - loose wheel in polyamid

## Measures



|                               |        |                        |                 |
|-------------------------------|--------|------------------------|-----------------|
| Code                          | = -    | Rolling resistance (N) | = 1750          |
| d                             | = 100  | Static load            | = 3500          |
| d3                            | =      | Type                   | = RE.F8-100-RBL |
| Dynamic carrying capacity (N) | = 3000 | Wight (g)              | = 130           |
| I3                            | = 30   |                        |                 |
| I4                            | = 44   |                        |                 |
| I5                            | =      |                        |                 |